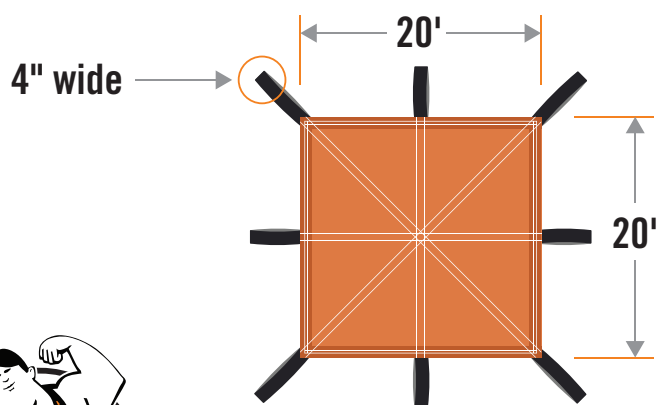


CUT & SPEC SHEET



Strong Man Demo Tarp

Construction site debris removal just became much easier thanks to the introduction of the Strong Man Demo Tarp. Long identified as a problem that consumes time, man power and resources, debris removal was a task in search of a solution. Strong Man quality, combined with a practical way to remove debris, makes this a must have for every jobsite. Simply lay your tarp on the ground, webbing always facing down, load the debris to be removed, attach the corners to a crane or lift and remove the debris off of your jobsite and watch your productivity and efficiency improve. A practical solution for a common problem. Strong Man products: solutions that work! Save hundreds of man hours with the Strong Man Demo Tarp!



FEATURES

- ▶ 20 Oz RFL Polyester
- ▶ Stock color: Red/Brown
- ▶ Webbing color: Black
- ▶ Non-Fire Retardant
- ▶ Manufactured with heavy-duty 2" webbing (4) double-stitched in a criss-cross pattern for maximum strength and ease of movement
- ▶ Tarp is equipped with eight 8" lifting hoops for easy lifting capability
- ▶ Reinforced hem with "lock-stitch sewing" around the perimeter
- ▶ UV-resistant thread
- ▶ Rip-resistant fabric
- ▶ Superior fabrication and Strong Man quality
- ▶ Made in the USA

USES

- ▶ Jobsite debris removal
- ▶ Easy to use & efficient
- ▶ Durable & long lasting
- ▶ Keep your jobsite on schedule & on budget by eliminating wasted man hours & labor.

SIZES

- ▶ 6' x 6'
- ▶ 8' x 8'
- ▶ 10' x 10'
- ▶ 12' x 12'
- ▶ 20' x 20'

* May 2016

* Specifications subject to change.



SAFETY ■ SERVICE ■ SOLUTIONS

www.strongman.com
(800) 950-6999
sales@strongman.com

STRONG MAN™ SAFETY PRODUCTS CORP.
Corporate Headquarters and Distribution Center:
240 West Parkway Pompton Plains, NJ 07444
973-831-1555 * 973-831-1525 FAX * 800-950-6999
www.strongman.com

© 2019 Strong Man Safety Products Corp.

Distribution Centers:
* Houston, TX
* Miami, FL
* Chicago, IL
* Los Angeles, CA
* Kent, WA

CUT & SPEC SHEET

TEST RESULTS

BREAKING STRENGTH AND ELONGATION OF TEXTILE FABRICS (LIFT TEST)

Tarp Lifting Capacity Maximum	4,000 lbs Initial Lift of 2,000 lbs with additional lifts in 500 lb increments to an end point of 4,000 lbs.	
Lift Cycle test	200 lifts at 4,000 lbs	
Tensile Strength of Webbing ASTM D5034-09	Specimen	Tensile Strength
		lbf
	1	1178
	2	1102
	3	1068
	4	1486
	5	1332
Average	1233	

FABRIC SPECIFICATIONS

STYLE	3Z0001999P
WIDTH	Various
FIBER CONTENT - Warp Filling	1000/2 Polyester
THREAT COUNT - Warp Filling	1000/4 Polyester
WEIGHT	20 oz/sq yd
WEAVE	PLAIN
TREATMENT	RFL - Red/Brown

- ▶ Never use a damaged, torn or ripped tarp.
- ▶ For use with general job-site debris; do no overload or puncture.
- ▶ Webbing must always face down when being used
- ▶ Never stand under tarp that is in use and never maneuver/move tarp over jobsite personnel or buildings that may contain jobsite personnel.



SAFETY ■ SERVICE ■ SOLUTIONS

www.strongman.com
(800) 950-6999
sales@strongman.com

STRONG MAN™ SAFETY PRODUCTS CORP.
Corporate Headquarters and Distribution Center:
240 West Parkway Pompton Plains, NJ 07444
973-831-1555 * 973-831-1525 FAX * 800-950-6999
www.strongman.com

© 2019 Strong Man Safety Products Corp.

Distribution Centers:
* Houston, TX
* Miami, FL
* Chicago, IL
* Los Angeles, CA
* Kent, WA