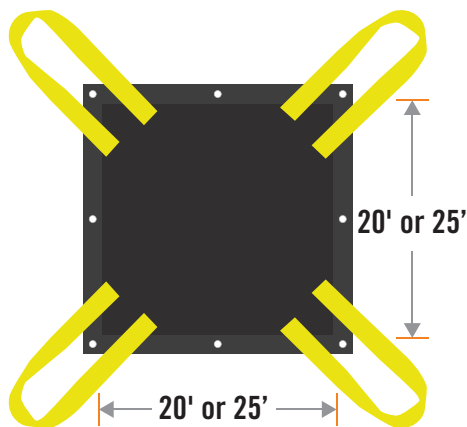


CUT & SPEC SHEET



Strong Man Snow Tarp

Construction site snow removal has never been easier thanks to the Strong Man Snow Tarp. Strong Man quality combined with a practical way to remove freshly fallen snow makes this a must have for every jobsite. Simply lay your tarp out before the snow falls, yellow webbing always facing down, attach the corners to a crane or lift after the snowfall and lift the snow off of your jobsite and watch your productivity and efficiency improve. A practical solution for a common problem. And most importantly, it's safe. How safe? Strong Man **SAFE!** Put your shovels away and save hundreds of man hours with the Strong Man Snow Tarp!



SAFETY ■ SERVICE ■ SOLUTIONS

FEATURES

- ▶ 18 oz heavy-duty PVC-coated polyester
- ▶ Stock color: Black
- ▶ Stock sizes: 20'x20'
25'x25'
- ▶ Snow Removal Tarp with 4 Loop Points
- ▶ 2" yellow webbing 12,000 lb. breaking strength
- ▶ Stainless Steel, rust-proof grommets installed 24" on center around the perimeter of the tarp
- ▶ Webbing-reinforced perimeter
- ▶ Heat-sealed seam construction constructed with heavy-duty, UV-resistant thread with Superior Strength
- ▶ "Lockstitch sewing" around the perimeter
- ▶ Made in the USA

USES

- ▶ Jobsite snow removal
- ▶ Superior fabrication and Strong Man Quality
- ▶ Easy to use & efficient
- ▶ Helps to keep your jobsite on schedule & on budget by saving you labor & lost man hours
- ▶ Weather resistant, mildew & mold resistant

** Specifications subject to change.*

www.strongman.com
(800) 950-6999
sales@strongman.com

STRONG MAN™ SAFETY PRODUCTS CORP.
Corporate Headquarters and Distribution Center:
240 West Parkway Pompton Plains, NJ 07444
973-831-1555 * 973-831-1525 FAX * 800-950-6999
www.strongman.com

© 2019 Strong Man Safety Products Corp.

Distribution Centers:
* Houston, TX
* Miami, FL
* Chicago, IL
* Los Angeles, CA
* Kent, WA

CUT & SPEC SHEET

TEST RESULTS

BREAKING STRENGTH AND ELONGATION OF TEXTILE FABRICS (LIFT TEST)

Tarp Lifting Capacity Maximum	4,000 lbs Initial Lift of 2,000 lbs with additional lifts in 500 lb increments to an end point of 4,000 lbs.
Lift Cycle test	2" yellow webbing 12,000 lb. breaking strength

SPECIFICATIONS

Weight (FS-191-5041)	18. oz / yard ²	High Temperature Resistance (FS-191-5872)	180° F (Does Not Block)
Fabric Type	Polyester (Woven)	Cold Crack (FS-191-5874)	-40° F
Thread Count (Warp x Fill)	18 x 17 (1000D x 1300D)	U.V. Resistance (Weather-O-Meter)	Not Excessive Fading After 300 Hours
Tensile Strength, Grab Method (lbs.) (FS-191-5100)	Warp 410 x Fill 410	Elongation at Break (FS-191-5102)	Warp: Approximately 17% Fill: Approximately 23%
Tensile Strength, Strip Method (lbs.) (FS-191-5102)	Warp 300 x Fill 300	Treatments	Anti Mildew and Anti Fungal Additives
Tear Strength, Tongue Method (lbs.) (FS-191-5134)	Warp 100 x Fill 100	*For use with freshly fallen snow only. Never use a damaged, torn or ripped tarp. Not designed to move equipment, tools, construction paraphernalia, supplies or other jobsite items. Webbing must always face down when being used. Never stand under tarp that is in use and never maneuver/move tarp over jobsite personnel or buildings that may contain jobsite personnel.	
Adhesion (lbs. / inch) (FS-191-5970)	Warp 12 X Fill 10	**Specifications subject to change.	
Abrasion Resistance (FS-191-5306)	400 Cycles		
Hydrostatic Resistance (lbs. / inch ²) (FS-191-5512)	At least 600 PSI		



SAFETY ■ SERVICE ■ SOLUTIONS

www.strongman.com
(800) 950-6999
sales@strongman.com

STRONG MAN™ SAFETY PRODUCTS CORP.
Corporate Headquarters and Distribution Center:
240 West Parkway Pompton Plains, NJ 07444
973-831-1555 * 973-831-1525 FAX * 800-950-6999
www.strongman.com

Distribution Centers:
* Houston, TX
* Miami, FL
* Chicago, IL
* Los Angeles, CA
* Kent, WA