

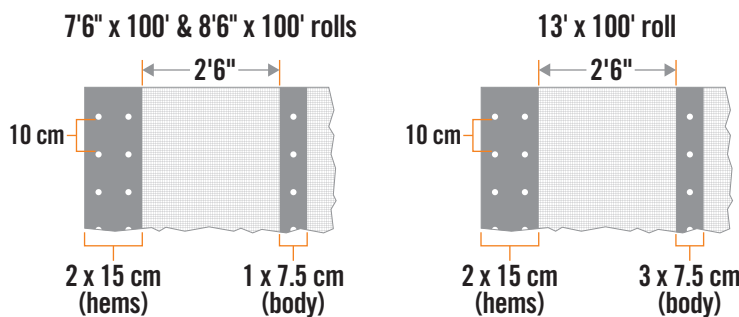
CUT & SPEC SHEET



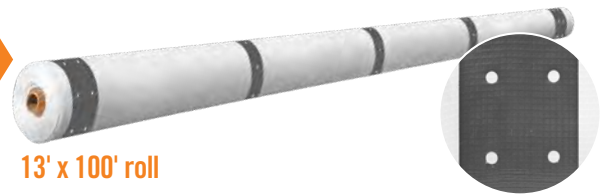
D12/Strong Wrap Fire-Retardant Scaffold Wrap

Strong Man's D12/Strong Wrap is a heavy duty, multiple purpose polyethylene enclosure created to provide super strong jobsite protection. Our durable scaffold wrap is designed with reinforced bands with pre-punched eyelets to make installation faster and easier. When installed with our BC-111 bungee cords, D12/Strong Wrap will create a weather enclosure that allows your project to move forward, regardless of the elements.

USE WITH OUR BC-111 BUNGEE CORDS & HD POLY TAPE TO ENSURE PROPER INSTALLATION!



7'6" x 100' & 8'6" x 100' rolls



13' x 100' roll

FEATURES

- ▶ Fire-Retardant: Meets NFPA 701 Method II & BFD 1X-1
- ▶ Scrim Reinforced LD Polyethylene
- ▶ Base Material: 3x3 Weave Per Sq. Inch 2400 Denier 250 Grams Per Sq. Meter Milky White Color
- ▶ Reinforced Bands: 14x14 Weave Per Sq. Inch 1200 Denier 190 Grams Per Sq. Meter Pre-Punched 15mm Eyelets For Easy Installation Grey
- ▶ UV Treated & Long Lasting
- ▶ Superior Strength

USES

- ▶ Scaffold Enclosure
- ▶ Debris Protection
- ▶ Sandblast & Dust Containment
- ▶ Paint Overspray
- ▶ Ideal For Use On Scaffold, Bridges, Towers & Tall Buildings

** Specifications subject to change.*



GO STRONG ALL YEAR LONG

www.strongman.com

(800) 950-6999  

MEMBER | ACDI, SAIA, STAFDA, IFAI

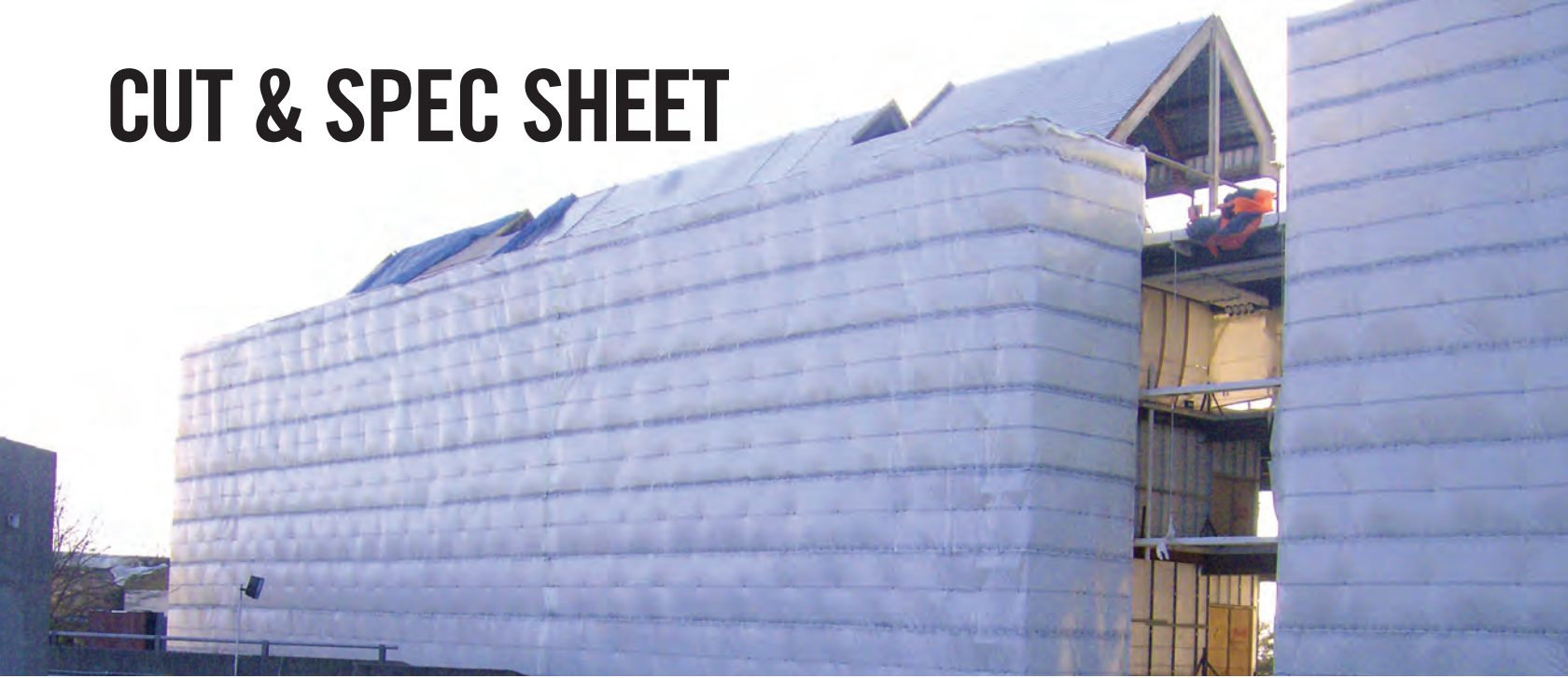
STRONG MAN® SAFETY PRODUCTS CORP.

240 W Parkway Pompton Plains, NJ 07444
1610 Greens Road, Ste 400 Houston, TX 77032

© 2015 Strong Man Safety Products Corp.

* October 2015

CUT & SPEC SHEET



TEST RESULTS

BREAKING STRENGTH AND ELONGATION OF TEXTILE FABRICS (GRAB TEST)

ASTM D 5034-09 (original state)

	Break Load (lbf)	Break Ext. (%)
Length/Warp (Avg. in lbs)	99.2	18.2
Width/Filling (Avg. in lbs)	144.8	17.9

BREAKING STRENGTH AND ELONGATION OF TEXTILE FABRICS (GRAB TEST) *AFTER HEAT AGEING

ASTM D 751/ASTM D 5034-09

	Break Load (lbf)	Break Ext. (%)
Length/Warp (Avg. in lbs)	113.7	21.6
Width/Filling (Avg. in lbs)	130.2	26.6

*Heat Aging: per ASTM D751 Sec 72-19 (158° F ± 5° F for 72 hrs)

BREAKING STRENGTH AND ELONGATION OF TEXTILE FABRICS (GRAB TEST)

ASTM D 5034-09 (button hole or tie off edge, original state)

(Avg. in lbs)	Break Load (lbf)	Break Ext. (%)
	191.8	10.4

LOW TEMP: LOW TEMPERATURE CRACK RESISTANCE

ASTM D 751 (-40° F)

Spec #	Results	
1	Pass	No Cracking
2	Pass	No Cracking
3	Pass	No Cracking

D12/Strong Wrap Accessories



BC-111 Round Barrell Heavy Duty Bungee Cords



Heavy Duty Polyethylene Tape



GO **STRONG** ALL YEAR LONG

www.strongman.com

(800) 950-6999



MEMBER ACDI, SAIA, STAFDA, IFAI

STRONG MAN® SAFETY PRODUCTS CORP.

240 W Parkway Pompton Plains, NJ 07444
1610 Greens Road, Ste 400 Houston, TX 77032

© 2015 Strong Man Safety Products Corp.

* October 2015

REINFORCED
POLY SHEETING

D12/STRONG WRAP: FR SCAFFOLD WRAP

Product Features:

- ▶ Fire-Retardant: Meets NFPA 701 Method II & Boston Fire Marshal Test BFD IX-1
- ▶ Premium Quality String Reinforced Poly
- ▶ Base Material:
3 x 3 Weave Per Square Inch, 2400 Denier
250 GSM Including Reinforcing Band
Color: Milky White
- ▶ Reinforced Bands:
14 x 14 Weave Per Square Inch, 1200 Denier
Pre-Punched 15mm Eyelets For Easy Installation
Color: Gray
- ▶ Easy To Install & Remove With Strong Man Bungee Cords
- ▶ Superior Performance In Cold & Extreme Weather Conditions
- ▶ UV-Treated & Highly Rip-Resistant

Product Uses:

- ▶ Scaffold & Building Enclosure
- ▶ Total Weather & Jobsite Protection
- ▶ Abatement, Demolition & Restoration Enclosure
- ▶ Debris, Dust, Paint Overspray & Sandblast Containment
- ▶ Temporary Heat Enclosure
- ▶ Ideal For Use On Scaffold, Bridges, Towers & Tall Buildings

Availability

Sizes	with 3 Bands	with 5 Bands
7'6" x 100'	✓	
8'6" x 100'	✓	
13' x 100'		✓



Use With Our BC-111 Bungee Cords & HD Poly Tape To Ensure Proper Installation!

